

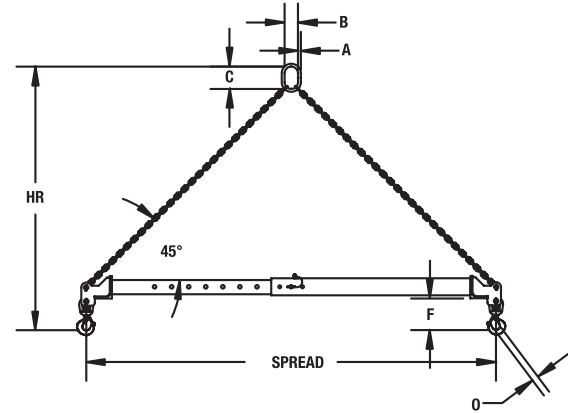
SPREADER BEAMS

Adjustable Spreader Beams

- Ideal where headroom is not limited.
- Adds stability to lift.
- Telescopic spread standard.
- Spread adjusts in 1" increments.
- Available with standard chain or wire rope rigging.
- Wide range of additional sizes and capacities available.
- Custom spreader beam quotes available upon request. Custom spreader beam form found at <http://www.northernstrands.com/spreader-beam-quote.aspx>
- Complies with ASME standards.



Adjustable Spreader Beam
Shown with Option C



SPECIFICATIONS

Capacity (tons)	Spread (ft.) Min./Max.	HR Headroom Min./Max. w/chain (in.)	Weight Beam & Hooks (lbs.)	A Oblong Dia. (in.)	B Oblong Width (in.)	C Oblong Height (in.)	F - Hook To Beam Bottom (in.)	O - Hook Opening w/latch (in.)	Chain Rigging Weight (lbs.)
2	4 / 6	48/57	70	1/2	2.36	3.94	5.5	0.97	9
	6 / 10	72/88	85						13
	8 / 14	96/113	175						17
	12 / 20	132/166	245						23
5	4 / 6	55/64	105	1	5.38	7.09	8.4	1.41	34
	6 / 10	79/95	160						47
	8 / 14	102/126	205						61
	12 / 20	138/172	670						82
10	4 / 6	60/69	130	1-1/4	5.71	10.83	10.6	1.78	49
	6 / 10	74/111	175						69
	8 / 14	108/132	460						88
	12 / 20	144/163	680						118
15	4 / 6	64/72	165	1-1/2	5.90	10.5	13.6	2.22	78
	6 / 10	87/104	365						111
	8 / 14	111/135	478						145
	12 / 20	147/180	700						194

TOP RIGGING OPTIONS

OPTION C

Chain top rigging from beam to crane hook with coupler attachment.

OPTION W

Wire rope top rigging from beam to crane hook. WR Lug required for 25-40 TON capacity beams.

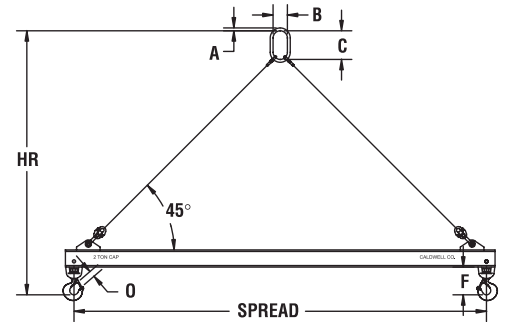
SPREADER BEAMS

Fixed Spreader Beams

- Ideal where headroom is not limited.
- Adds stability to lift.
- Available with standard chain or wire rope rigging.
- Wide range of additional sizes and capacities available.
- Custom spreader beam quotes available upon request. Custom spreader beam form found at <http://www.northernstrands.com/spreader-beam-quote.aspx>
- Complies with ASME standards.



Fixed Spreader Beam
Shown with Option C



SPECIFICATIONS

Capacity (tons)	HR Headroom (in.) Weight (lbs.)	Spread (feet)								Other Dimensions (in.)	
		4	6	8	10	12	16	20	24		
2	HR Headroom	34	46	58	70	82	106	132	156	A=1/2 B=2-1/2 C=5	F=4-1/4 O=31/32
	Weight	45	60	82	95	115	225	408	445		
5	HR Headroom	37	49	61	73	83	110	134	158	A=1 B=3-1/2 C=7	F=6 O=1-1/16
	Weight	62	78	100	117	168	305	435	661		
10	HR Headroom	41	53	64	77	86	113	138	163	A=1-1/4 B=4-3/8 C=8-3/4	F=8-1/8 O=1-1/2
	Weight	100	122	156	180	240	380	532	915		
15	HR Headroom	43	55	65	80	92	116	140	167	A=1-1/2 B=5-1/4 C=10-1/2	F=9-1/4 O=1-3/4
	Weight	126	155	185	242	270	420	665	953		
20	HR Headroom	46	58	69	82	94	118	140	170	A=1-3/4 B=6 C=12	F=9-3/4 O=2
	Weight	170	200	233	315	350	540	775	1341		
30	HR Headroom		60	70	83	95	120	145		A=1-3/4 B=6 C=12	F=9-3/4 O=2
	Weight		285	402	440	530	888	1390			
40	HR Headroom		65	77	89	102	127			A=2 B=7 C=14	F=13 O=2-3/4
	Weight		563	695	781	1058	1364				

NOTE: Weight = Beam and hooks only - (no top rigging).

TOP RIGGING OPTIONS

OPTION C

Chain top rigging from beam to crane hook.

OPTION W

Wire rope top rigging from beam to crane hook.